

# SKF 25 – good preparation is everything

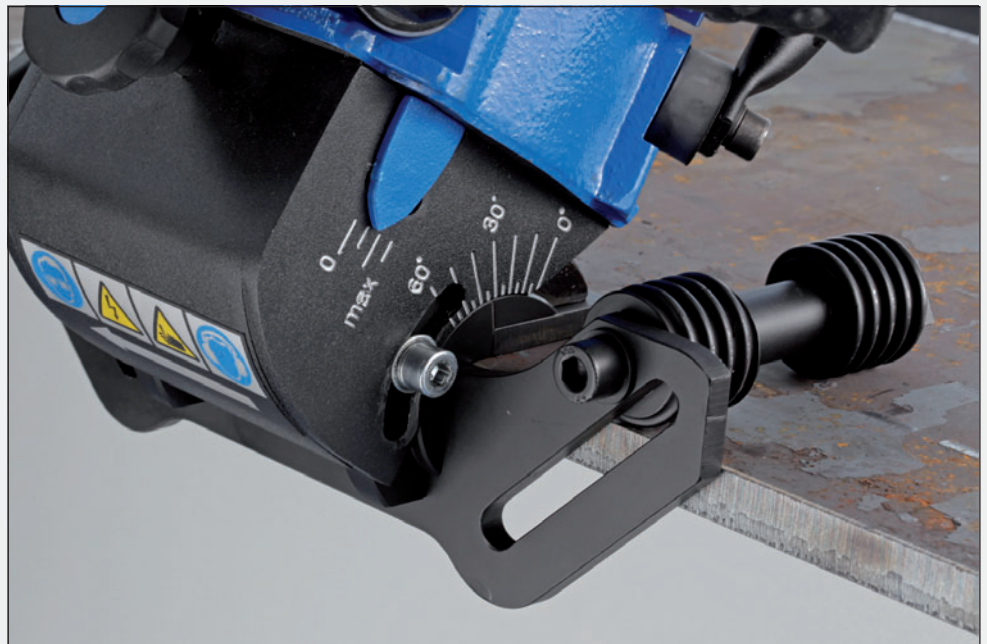
Good work preparation, good results. This universal bevel edge milling machine with integrated tube enables perfect weld preparation.

**SKF 25 - This new hand-guided BDS machine is ideally suited for easy and quick preparation of welded seams.** On account of its low weight of 22 Kg, it is easy to handle and can be guided exactly and easily with smooth-running rollers. The end result is uniformly milled edges for perfect welded seams.

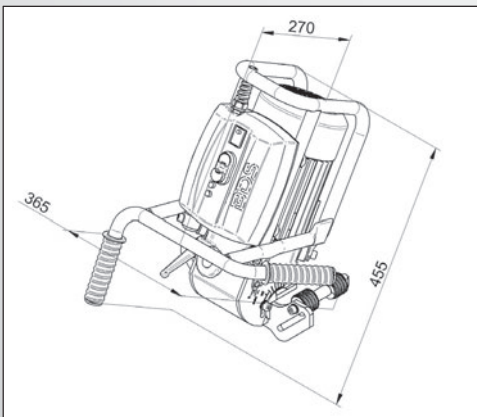
The SKF 25 of BDS is suitable for machining

- ▶ normal steel
- ▶ stainless steel
- ▶ aluminium
- ▶ non-ferrous metals

The chamfer angle can be adjusted continuously from 15° to 60° with a maximum chamfer width of 15 mm.



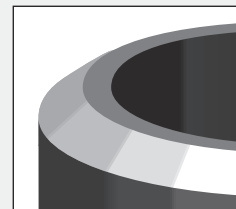
Large guide rollers and a continuous angle adjustment from 15 to 60° render the system practical.



Technical drawing



Edge processing of pipes in a vertical position.










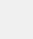

Milling edge

## The advantages of the SKF 25

- > Wide chamfers – up to 15 mm
- > Continuous angle adjustment – from 15 to 60°
- > Handy – with ergonomic handle arrangement
- > Easily guided – with guide rollers



### SPECIFICATION

	Motor output:	1.1 kW
	Voltage:	220-240 V AC, 50-60 Hz
	Feed:	manual
	Speed range 1:	2850 min <sup>-1</sup>
	Chamfer width:	15 mm
	Angle adjustment:	15 – 60° continuously
	Safety:	automatic overload cutout / restart lockout
	Weight:	22 kg
	Tools:	Arbor milling cutter, double-row, with 10 sintered carbide reversible disks

### ACCESSORIES

#### ORDER NO.

#### Arbor milling cutter

ZFR 250 1 pc.

Carbide reversible disks are not included in delivery. Please clearly order them as an extra.

#### Carbide reversible disks

SHM 800 1 pc.

SHM 400-E 1 pc.

1 set = 10 carbide reversible disks



Arbor milling cutter ZFR 250



Carbide reversible disk



Angle adjustment 15 - 60°

### ORDER NO.

SKF 25 / 230 Volt

SKF 25 / 110 Volt

### SCOPE OF DELIVERY

1 Bevel edge milling machine

1 Carry case

1 Arbor milling cutter ZFR 250 with  
10 carbide reversible disks

SHM 800

1 Offset screwdriver SW 8

1 Operating manual

1 Screwdriver TX 15