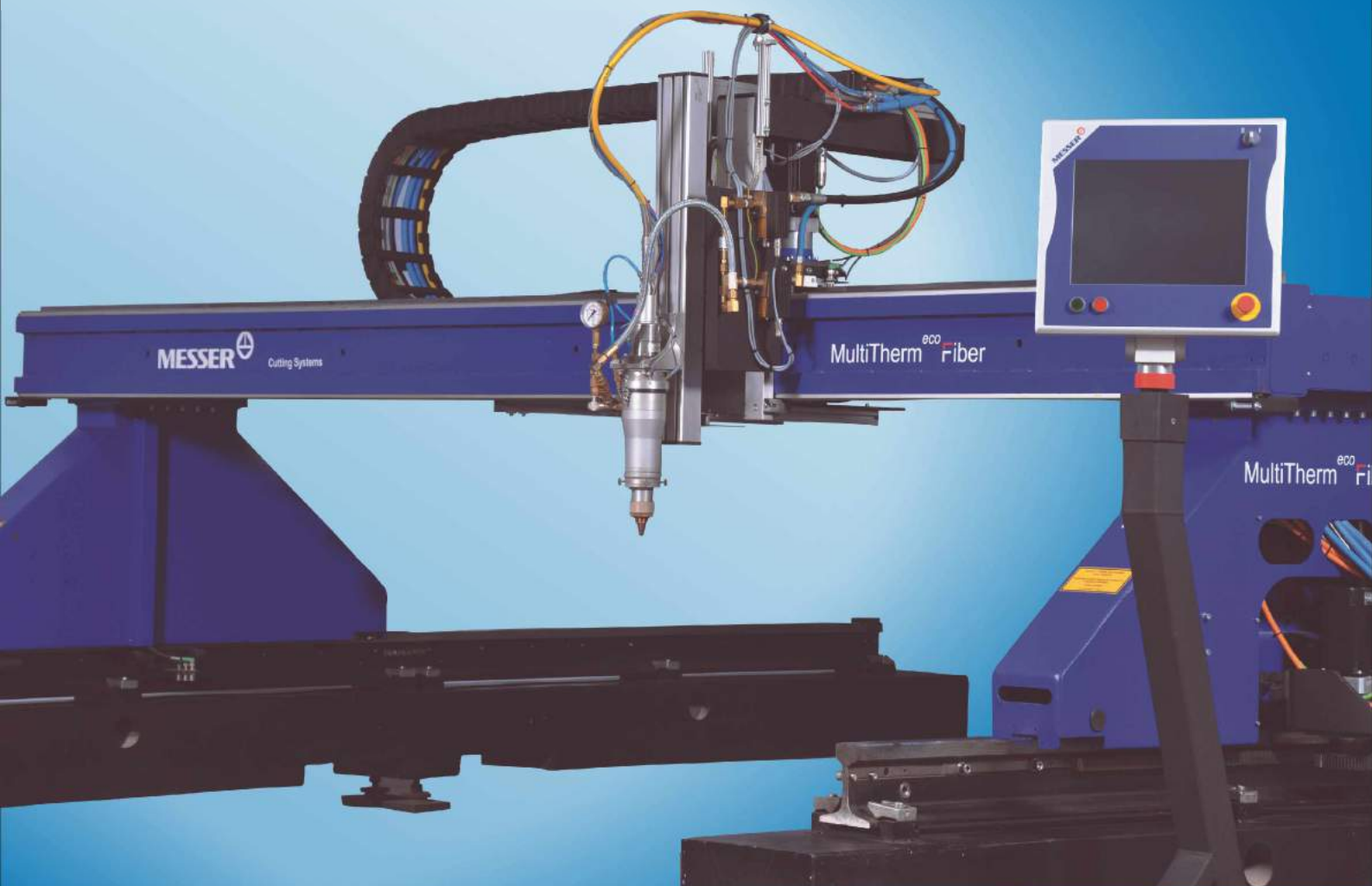


# MultiTherm<sup>eco</sup> Fiber

Minimum Maintenance  
Maximum Cut Performance



# MultiTherm<sup>eco</sup> Fiber

*The compact Messer Fiber Laser ...*

High efficiency, highest reliability,  
low maintenance cost

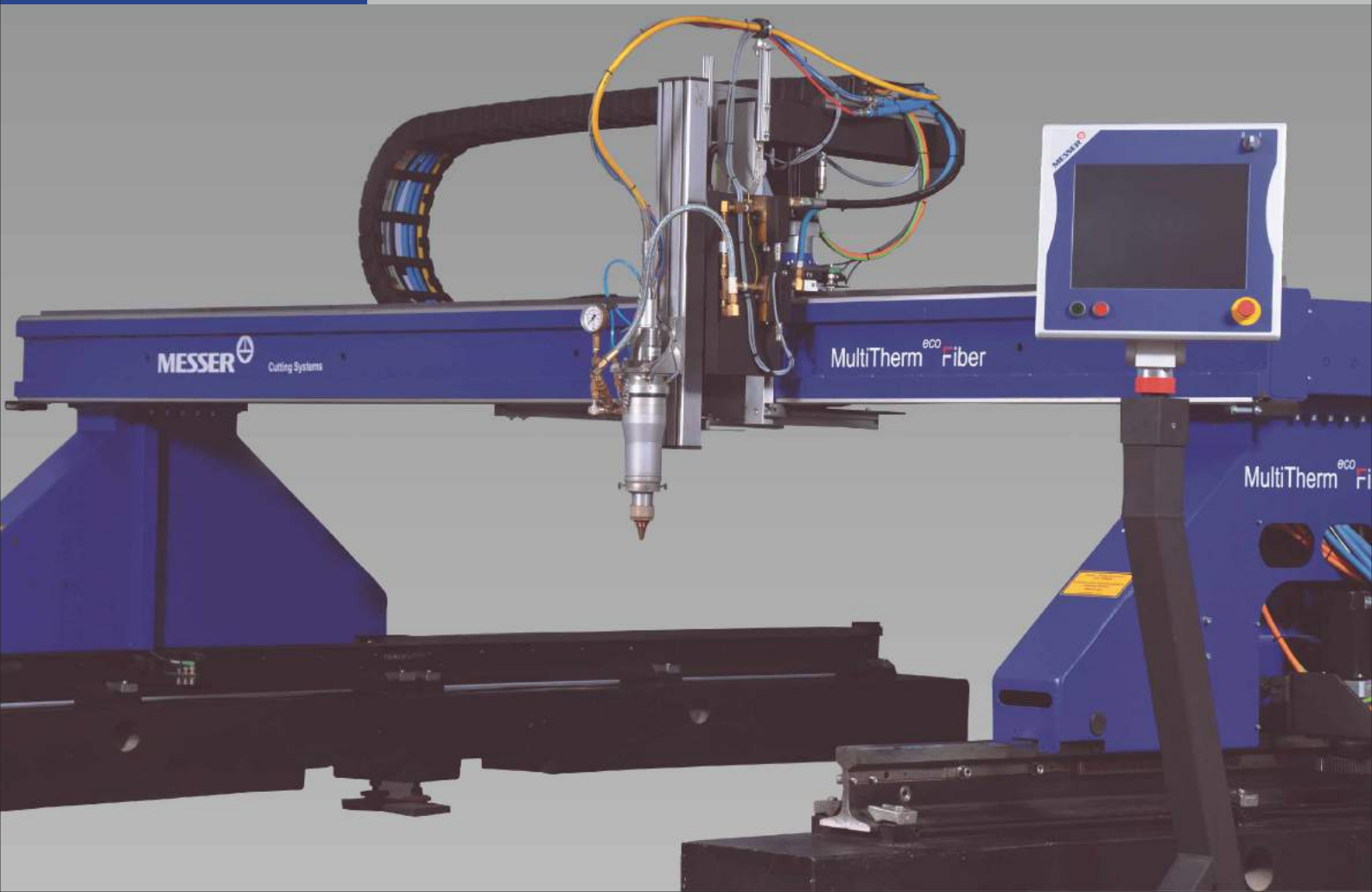
## *Cutting capacity*

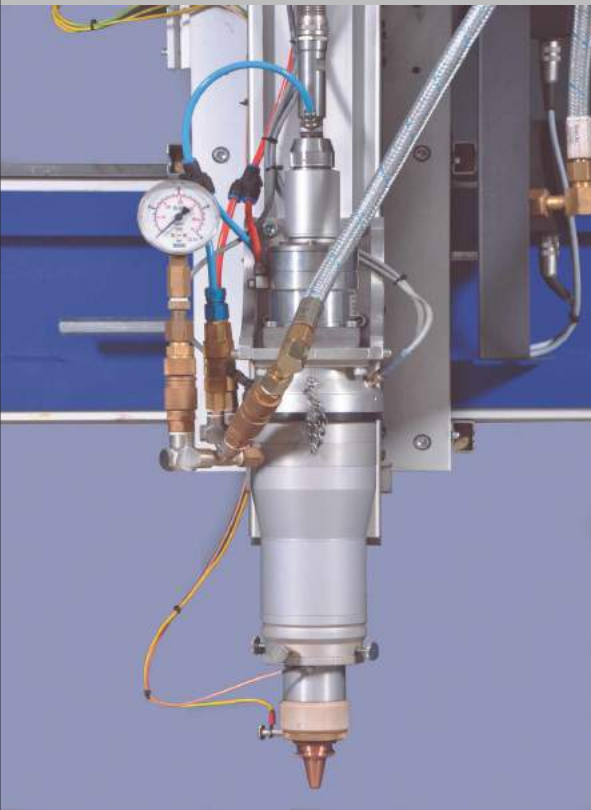
Power	Material	Min (in mm)	Max (in mm)
1.0 KW	MS	0.5	12
	SS	0.5	6
2.0 KW	MS	0.5	16
	SS	0.5	10

## *Highly productive thanks to:*

- User friendly CNC control for fast set up
- Positive bilateral longitudinal drives for good acceleration
- Reliable automatic height sensing
- 35 m/min drive speed save time between cuts
- Cutting head is protected with magnetic collision protection unit
- Fiber Laser have higher efficiency Approx.30% (CO2 Laser: Approx.10%)
- The emitter diodes expected working life is over 50,000 Hours
- No moving parts in the laser resonator

MultiTherm<sup>eco</sup> Fiber





## The Concept

- The laser beam is guided through a glass fiber from resonator to the cutting head
- No need for laser gas
- No mirror
- Simple beam guidance

## Cutting Power - Comparison

Fiber Laser	CO <sub>2</sub> Laser
1.0 KW	~ 2 KW
2.0 KW	~ 4 KW



## The Controller

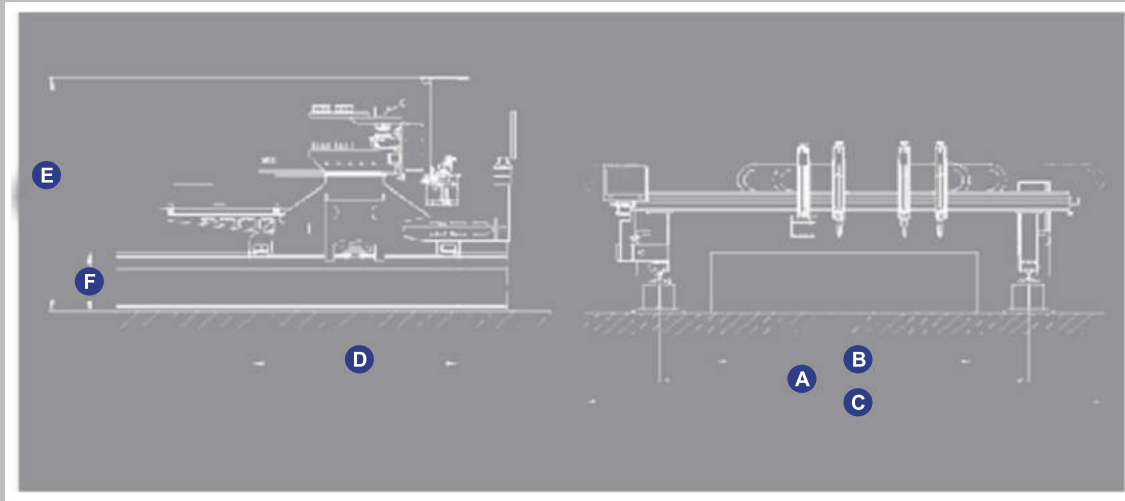
Equipped with Messer Global Controller

- One of the most modern control concepts in the cutting machine world

## Economic Advantages

- Low investment costs
- Low running costs
- Economical entry into the world of laser cutting

## Technical Data



## MultiTherm<sup>eco</sup> Fiber

### MultiTherm<sup>eco</sup> Fiber

<b>A</b>	<b>Spurbreite</b> <i>Track gauge</i>	2600	3100	3600	4000
<b>B</b>	<b>Arbeitsbreite</b> <i>Working width</i>	1500	2000	2500	3000
<b>C</b>	<b>Gesamtbreite</b> <i>Overall width</i>	4070	4070	5070	5070
<b>D</b>	<b>Länge</b> <i>Length</i>	1500	1500	1500	1500
<b>E</b>	<b>Hohe</b> <i>Height</i>	1980	1980	1980	1980
<b>F</b>	<b>Laufbahnhohe</b> <i>Track height</i>	500	500	500	500

- \* **Arbeitsbreite bei Ausrüstung mit einem Senkrechtaggregat pro Blech.**  
Bei der Ausrüstung mit mehreren Aggregaten reduziert sich die Arbeitsbreite entsprechend.
- \* **Working width applies for machines equipped with vertical torch units and with one tool per plate.** When equipped with multiple tools, the working width is reduced accordingly.
- \*\* **Die Gesamtabmessungen sind ausrüstungsabhängig und können von den oben angegebenen Werten abweichen.**
- \*\* **The total overall dimensions depend upon equipment fitted and may vary from the above figures.**

- \*\*\* **Alleangaben in mm**
- \*\*\* **All dimensions in mm**

**MESSER** 

Cutting Systems

Messer Cutting Systems  
India Private Limited

No.198/2A2B and 199/2B  
SNMV College Road,  
Mallumichampatti,  
Coimbatore - 641 050  
Email: sales.all@messer-cs.in  
www.messer-cs.com